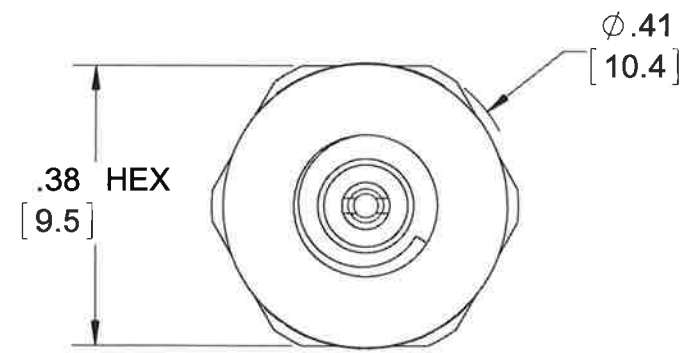


PROPRIETARY AND CONFIDENTIAL

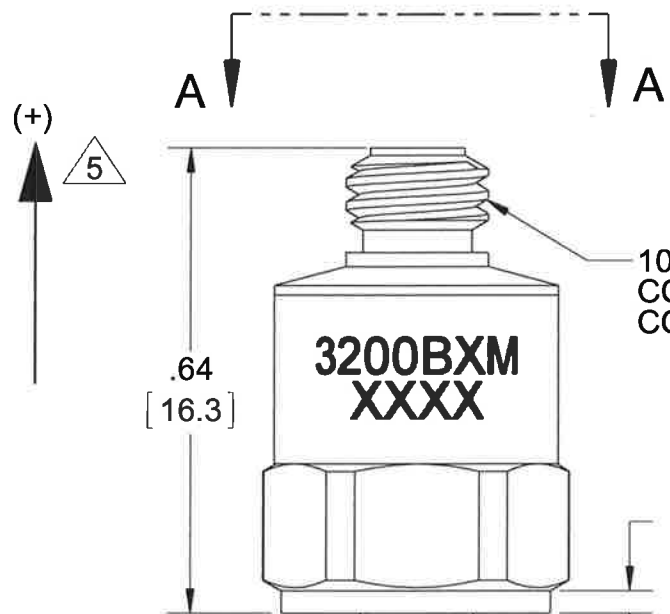
THE INFORMATION CONTAINED IN THIS DRAWING IS THE SOLE PROPERTY OF DYTRAN INSTRUMENTS INC. ANY REPRODUCTION IN PART OR AS A WHOLE WITHOUT THE WRITTEN PERMISSION OF DYTRAN INSTRUMENTS INC. IS PROHIBITED

REVISIONS

REV.	ECN	DESCRIPTION	BY/DATE	CHK	APPR
A	11055	INITIAL RELEASE	EC 08/05/14	JLS	



VIEW A-A



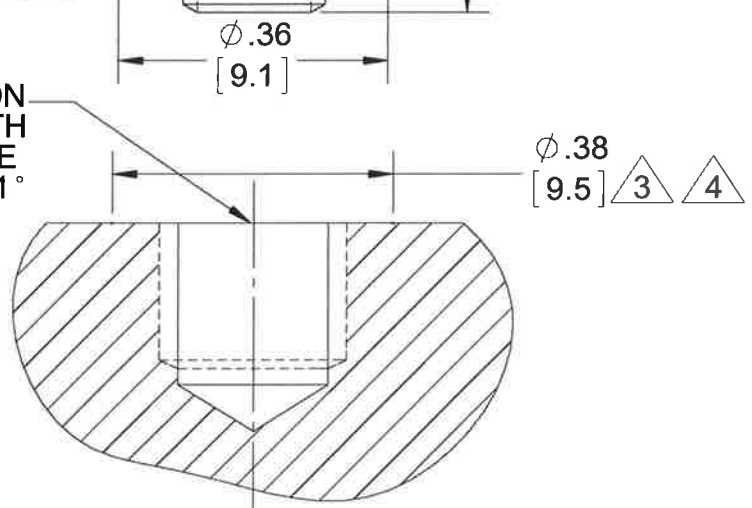
10-32 UNF-2A COAXIAL CONNECTOR

3200BXM XXXX

DYTRAN

M6X1.0X6mm THREAD

MOUNTING HOLE PREPARATION TAP M6 X 1.0 X 6mm [.236] MIN DEPTH OF PERFECT THREAD. HOLE TO BE PERPENDICULAR WITHIN ±1°



3200BM SERIES

- 5 ARROW INDICATES SENSE AND DIRECTION OF ACCELERATION FOR POSITIVE - GOING OUTPUT SIGNAL
- 4 PREPARE FLAT SURFACE TO THIS DIA. WITH A FINISH OF OR BETTER AND FLAT TO .001 TIR.
- 3 PREPARE MOUNTING SURFACE AS SHOWN. APPLY A LAYER OF SILICONE GREASE TO MOUNTING SURFACE. TORQUE IN PLACE WITH 50 LB-IN.

- 2. HOUSING MATERIAL: 17-4 PH STAINLESS STEEL
- 1. WEIGHT: 6 GRAMS MAX

NOTES: UNLESS OTHERWISE SPECIFIED

<small>UNLESS OTHERWISE SPECIFIED: INTERPRET DIM & TOL PER ASME Y14.5M - 1994. REMOVE BURRS. COUNTERSINK INTERNAL THDS 90° TO MAJOR DIA. CHAM EXT THDS 45° TO MINOR DIA. THD LENGTHS AND DEPTHS ARE FOR MIN FULL THDS. DIMENSIONS APPLY AFTER FINISHING.</small>	<small>UNLESS OTHERWISE SPECIFIED: DIMENSIONS ARE IN INCHES. DIMENSIONS IN BRACKETS [] ARE IN MILLIMETERS TOLERANCES ARE:</small>				
	<small>DECIMALS .XX ±.03 .XXX ±.010</small>	<small>METRIC .X ± 0.8 .XX ±0.25</small>	<small>ANGLES ±1°</small>	MASTER ONLY IF IN RED	
	APPROVALS		DATE		TITLE: OUTLINE/INSTALLATION DRAWING, MODEL SERIES 3200BM (METRIC STUD)
	<small>ORIG</small>	<small>EC</small>	08/05/14		
<small>CHK</small>	<small>EC</small>	08/05/14			
<small>APP</small>			<small>SIZE</small> B	<small>CAGE CODE</small> 2W033	
<small>DO NOT SCALE DRAWING</small>		<small>THIRD ANGLE PROJECTION</small>	<small>DWG NO</small> 127-3200BM	<small>REV</small> A	
<small>ALL MACHINED SURFACES. TOTAL RUNOUT WITHIN .005. BREAK SHARP EDGES .005 TO .010. MACHINED FILLET RADII .005 TO .015. WELDING SYMBOLS PER AWS A2.4. ABBREVIATIONS PER MIL-STD-12.</small>			<small>SCALE:</small> 4:1	<small>SHEET 1 OF 1</small>	

MODEL NUMBER 3200B5M	PERFORMANCE SPECIFICATION	DOC NO PS3200B5M
	SINGLE AXIS ACCELEROMETER, IEPE	REV B, ECN 12864, 08/12/16



PHYSICAL

Weight	0.21	oz
Mounting Provision	M6 X 1.0	
Connector	Coaxial	
Material Body	17-4 PH S.S.	
Sensing Element	Quartz	

ENGLISH	SI
Weight	6.0 grams
Stud Type	M6 X 1.0 Coaxial
Thread	10-32 UNF-2A
Material	17-4 PH S.S.
Isolation	Case Isolated
Material	Quartz
Mode	Compression

PERFORMANCE

Sensitivity +/- 10% [1]	1.0	mV/g
Maximum Range F.S.	5000	g
Frequency Response, ± 5%	.50 to 10000	Hz
± 10%	.35 to 20000	Hz
± 3db	.16 to >50000	Hz
Mounted Resonant Frequency	> 90	kHz
Electrical Noise	0.07	Grms
Linearity [2]	± 1%	%F.S
Transverse Sensitivity, Max.	3	%

Sensitivity	0.1	mV/ m/s ²
Maximum Range	49000	m/s ²
Frequency Response	.50 to 10000	Hz
± 10%	.35 to 20000	Hz
± 3db	.16 to >50000	Hz
Resonant Frequency	> 90	kHz
Electrical Noise	0.7	m/s ² rms
Linearity [2]	± 1%	%F.S
Transverse Sensitivity	3	%

ENVIRONMENTAL

Maximum Shock (peak)	± 50000	G peak
Temperature Range	-60 to +250	°F
Seal	Epoxy	

Maximum Shock	± 490500	m/s ² peak
Temperature Range	-51 to +121	°C
Seal	Epoxy	

ELECTRICAL

Power Supply [3]	2 to 20	mA
Compliance Voltage Range	+18 to +30	V
Output Impedance	100	Ω
Bias Voltage	+7.5 to +9.5	VDC
Discharge Time Constant	1 to 1.5	sec
Electrical Isolation [4]	10	GΩ
Grounding	Case Isolated	

Power Supply	2 to 20	mA
Compliance Voltage	+18 to +30	V
Output Impedance	100	Ω
Bias Voltage	+7.5 to +9.5	VDC
Discharge Time Constant	1 to 1.5	sec
Electrical Isolation [4]	10	GΩ
Grounding	Case Isolated	

This family also includes:

Model	Sensitivity (mV/g)	Range (Gpeak)	Resolution (Grms)	Oper. Temp(°F)	Time Constant (Sec)
3200BM	0.05	70000	1.4	-60 to +250	1.0 to 1.5
3200B2M	0.1	50000	0.7	-60 to +250	1.0 to 1.5
3200B3M	0.25	20000	0.28	-60 to +250	1.0 to 1.5
3200B4M	0.5	10000	0.14	-60 to +250	1.0 to 1.5
3200B6M	2.0	2500	0.035	-60 to +250	1.0 to 1.5

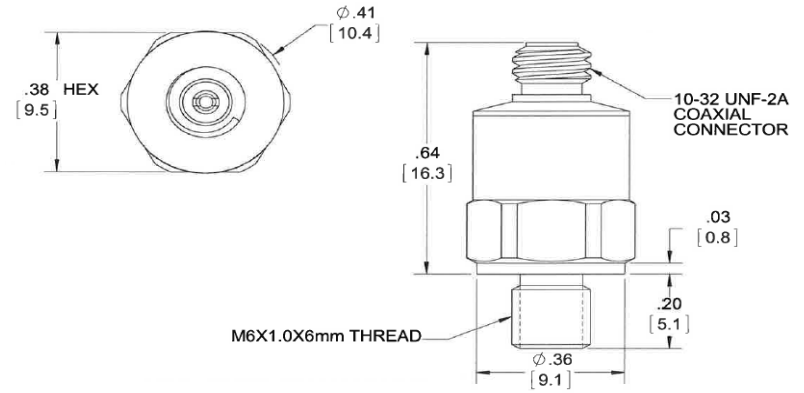
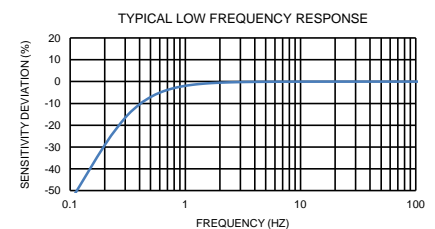
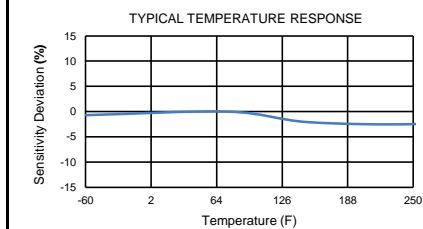
Refer to the performance specifications of the products in this family for detailed description.

Supplied Accessories:

- 1) Accredited calibration certificate (ISO 17025)

Notes:

- [1] Measured at 100 Hz, 1 GRMS per ISA RP 37.2.
- [2] Measured using zero-based best straight-line method, % of F.S. or any lesser range.
- [3] Do not apply power to this device without current limiting, 20 mA MAX. To do so will destroy the integral IC amplifier.
- [4] Case ground to mounting surface.



Units on the line drawing are in inches, units in brackets are in millimeters. Refer to 127-3200BM for more information.



21592 Marilla Street, Chatsworth, California 91311 Phone: 818.700.7818 Fax:818.700.7880
www.dytran.com For permission to reprint this content, please contact info@dytran.com